

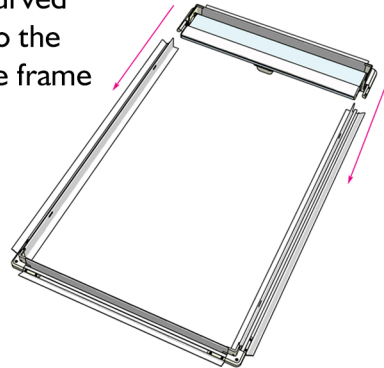
ORDER BLINDS

Perfect Fit Roller Blind Installation Guide

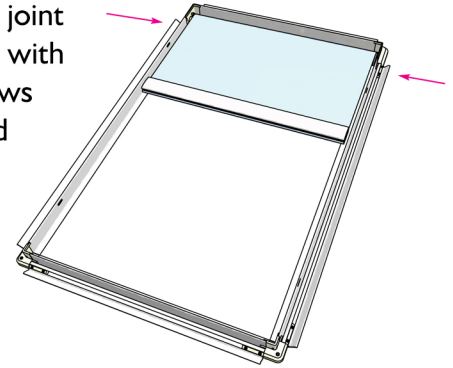
Step 1

Assembling
your
Perfect Fit
frame

Slide the curved
section into the
body of the frame



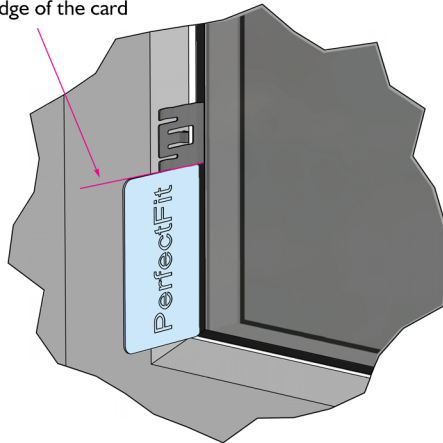
Fix each joint
securely with
the screws
provided



Step 2

Fitting the
Perfect Fit
brackets to
your
window

Line up the bracket with
the edge of the card



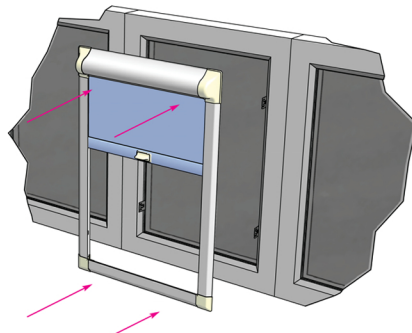
To ensure all the brackets are in the correct
position for fitting (85mm from beading) use a
credit card in the corner of the window to locate
the bracket position.

Line up the bracket with the base or top of the
credit card (depending on which corner of the
window you are working) and fit the bracket by
pushing it between the glass and the rubber seal
of the window.

Repeat until all brackets are fitted.

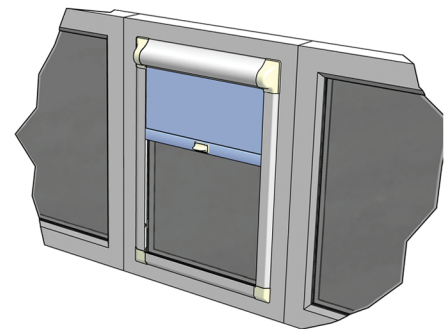
Step 3

Fitting the
Perfect Fit
frame to
your
window



Line up the holes in the frame with the brackets.
Firmly press the frame down onto each bracket.

Fit one side at a time for easier installation.



Your blind is now installed.

Option 2

Fitting as a
Bottom Up
Perfect Fit
blind

To fit as a bottom up Perfect
Fit blind, simply install the
frame 'upside down' with the
curved section at the bottom
rather than at the top.

