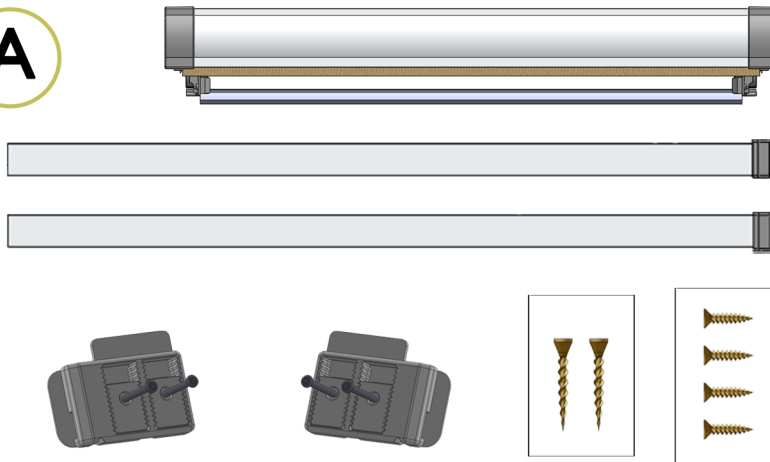




A

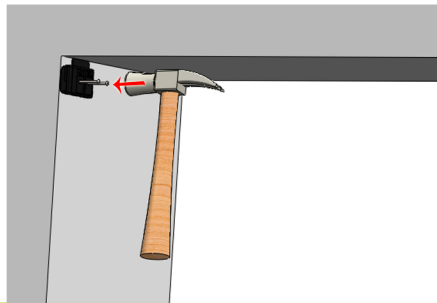


B
Fit the
brackets

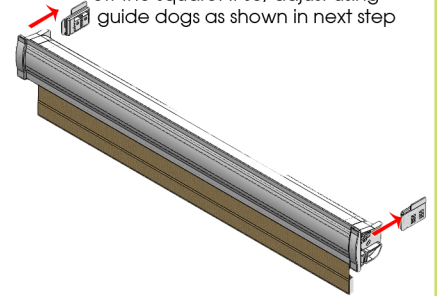
① Remove tape from guide dog



② Locate guide dog flush to the head of the wall and the recess at the desired location. Push into position. Then hammer the masonry pins into position on each side

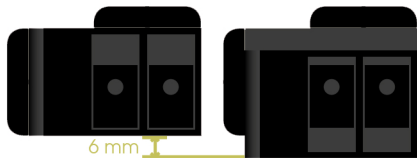


③ Mount cassette onto guide dogs and check level. This is done by lowering the blind to see if running off the square. If so, adjust using guide dogs as shown in next step

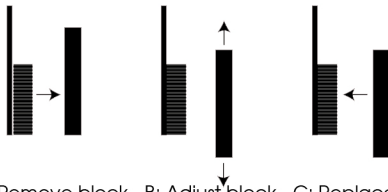


C
Install
the blind

① Adjust blocks up and down for leveling if required



6mm of adjustment is available on both sides

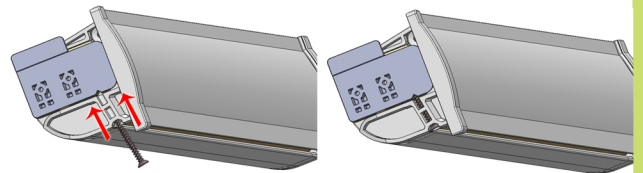


A: Remove block - B: Adjust block - C: Replace block

② Remount cassette onto guide dogs as per step B3.

Repeat if required to level ----->

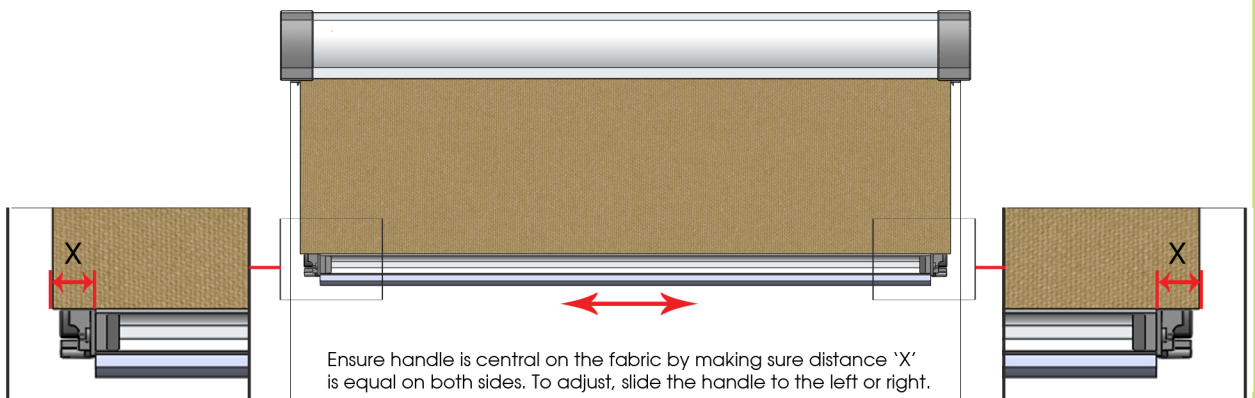
Then fix cassette onto guide dogs using screws provided (Left and Right)



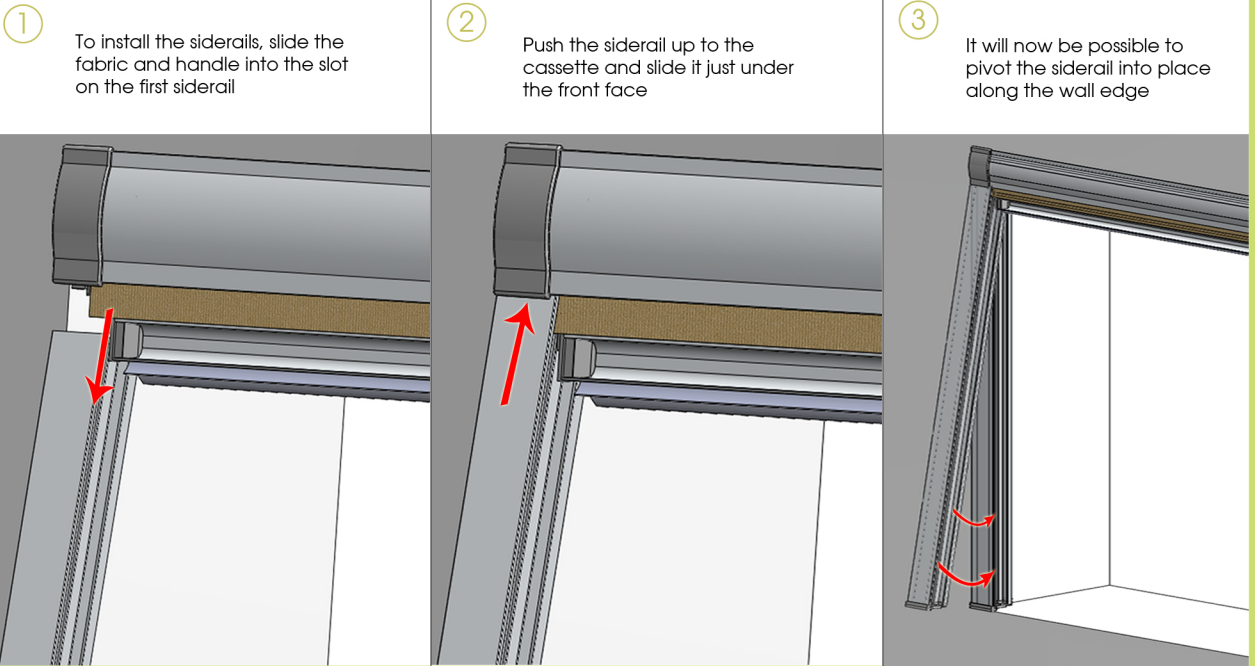
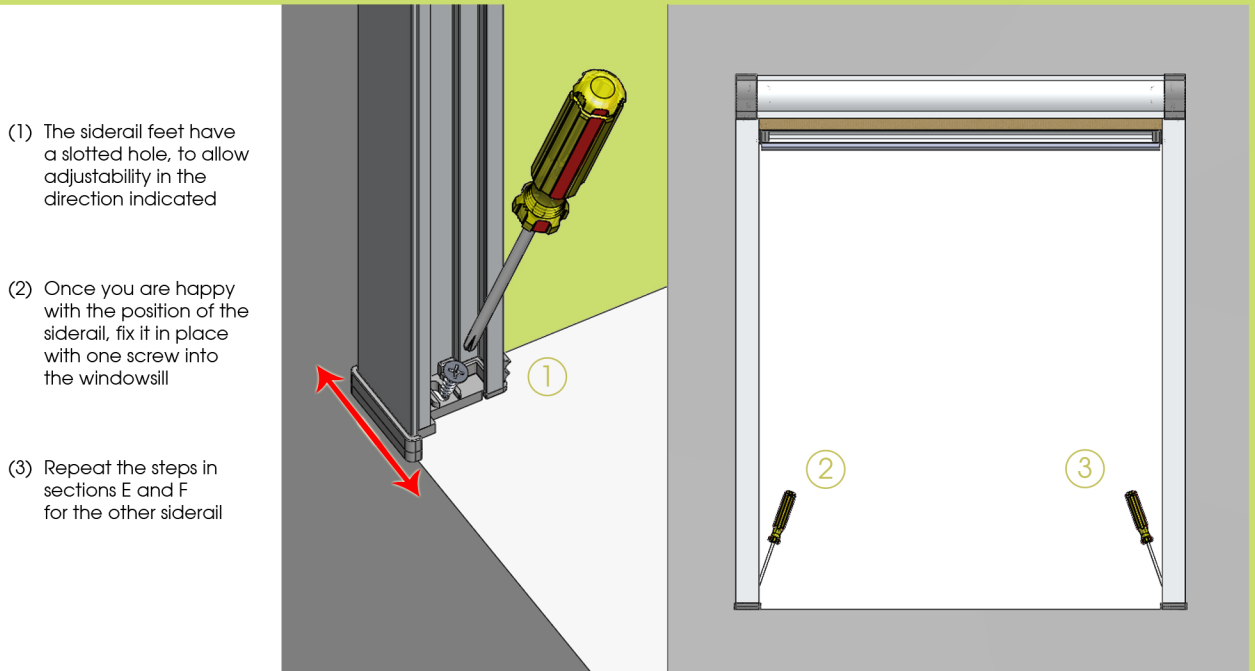
Not Level
(Off-Square)

Level
(Square)

D
Centralise
the handle



Ensure handle is central on the fabric by making sure distance 'X' is equal on both sides. To adjust, slide the handle to the left or right.

M**Install siderail (pt 1)****N****Install siderail (pt 2)****G****How to operate**

- (1) To operate the blind, push the handle in; it will rotate away from the siderails and 'unlock'
- (2) This will allow you to slide the blind up or down to the desired position
- (3) Once the blind is in the desired position, release the handle and the blind will 'lock'

