

ORDER BLINDS



Perfect Fit Roller Blind Installation Guide

Step 1

Assembling
your
Perfect Fit
frame

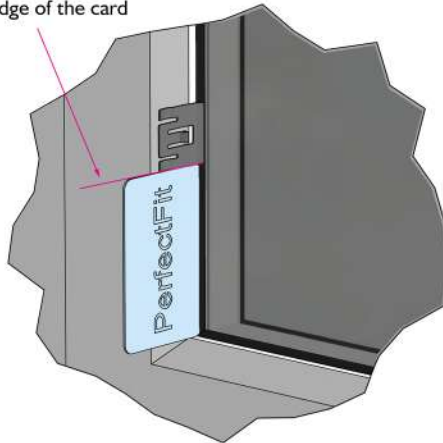
Slide the curved
section into the
body of the frame



Step 2

Fitting the
Perfect Fit
brackets to
your
window

Line up the bracket with
the edge of the card



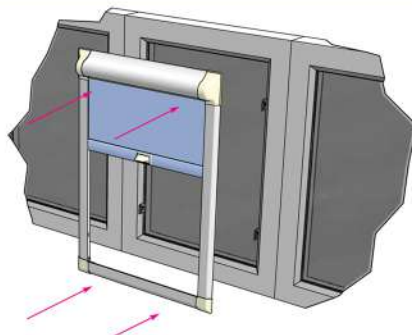
To ensure all the brackets are in the correct position for fitting (85mm from beading) use a credit card in the corner of the window to locate the bracket position.

Line up the bracket with the base or top of the credit card (depending on which corner of the window you are working) and fit the bracket by pushing it between the glass and the rubber seal of the window.

Repeat until all brackets are fitted.

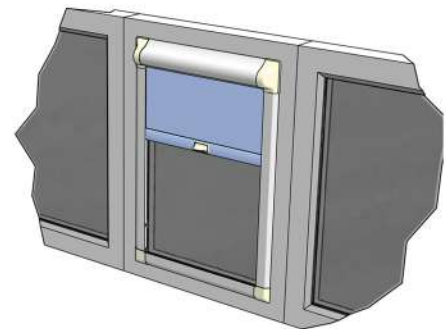
Step 3

Fitting the
Perfect Fit
frame to
your
window



Line up the holes in the frame with the brackets.
Firmly press the frame down onto each bracket.

Fit one side at a time for easier installation.



Your blind is now installed.

Option 2

Fitting as a
Bottom Up
Perfect Fit
blind

To fit as a bottom up Perfect Fit blind, simply install the frame 'upside down' with the curved section at the bottom rather than at the top.

